

**cintropur**<sup>®</sup>  
WATERFILTRATION & TREATMENT



**Ultraviolet  
sterilization**

www.cintropur.com

**2000**  
ø 3/4" + 1"

**TIO-UV**  
ø 3/4" + 1"

**10000**  
ø 2"



## Sterilization

## GENERAL DESCRIPTION

Thanks to its simplicity and efficiency, water sterilization by UV radiation has developed extensively in the recent years.

UV radiation at 253.7 nm is part of the solar radiation, and is reproduced artificially. UV radiation thus produced is of much greater intensity than sunlight – therefore suitable for water sterilization.

This particular disinfection method is known as one demolishing legionella, microbes, bacteria, viruses and protozoa, while having no negative impacts on the environment.

This is the ideal method to remove micro-organisms from water, and thus make it potable in terms of bacteriology. Water treated in this way cannot be regarded as of drinking quality unless its chemical properties are compliant to relevant standards.

## APPLICATIONS

### – ORIGINS OF WATER

- a) **Rainwater:** UV-sterilization of rainwater will allow for a wider range of application and safe use.
- b) **Drilling water, boreholes:** UV-sterilization of well water will prevent any pathogenic contamination.
- c) **Tap water:** UV-sterilization of tap water will ensure premium quality water satisfying even the highest demands.
- d) **Spring water, surface water:** UV-sterilization of such waters will provide constant water quality in terms of bacteriology.
- e) **Water stored in tanks (in caravans, boats, etc.) :** UV-sterilization will preserve the healthiness of water kept in tanks.

### Areas of use

- a) Residential baths and showers
- b) Food preparation jobs
- c) American refrigerators
- d) Chilled water fountains
- e) Aquariums
- f) Rinsing food
- g) Provision of livestock, e.g. chickens, rabbits, ducks, etc., with drinking water containing no pathogenic micro-organisms

### Advantages:

- Easy installation and use;
- 100% physical disinfection by means of UV sterilization;
- Natural treatment of water without adding chemicals – thus eliminating the risk of overdosing;
- No unpleasant tastes or odours in the water;
- Proven effectiveness against micro-organisms imposing hazard on human health;
- No toxic by-products will develop;
- Reduced need for maintenance.

### CINTROPUR counts off its UV advantages:

- More compact than any other UV-device;
- A built-in flow reducer guarantees optimal treatment;
- A practical maintenance chart for an easier maintenance process;
- Each component of premium quality;
- Professional construction;
- Efficient treatment confirmed by bio-dosimetry tests;
- Capacity range: 1 to 10 m<sup>3</sup>/h;
- Equipment : basic or full option available;
- Possibility of combining UV + mechanical filter and activated carbon.





**2100**  
ø 3/4" + 1"



**DUO-UV**  
ø 3/4" + 1"



**TRIO-UV**  
ø 3/4" + 1"



For the optimal  
treatment of  
**rainwater**

**The only TRIO which**



**1. Filters**

The spiral structure of the filter generates a centrifugal force, which, in a cyclone effect, moves larger particles towards the bottom of the bowl. The remaining contaminants are then subject to fine filtration adaptable to particular needs, with filtering fineness ranging from 5 to 25 microns;

**2. Purifies**

Treatment by activated carbon removes unpleasant tastes and odours, as well as pesticides and herbicides from the water. Activated carbon is contained in a separate holder for easy replacement. The activated carbon media can easily be replaced by screwing off the top cover;

**3. Sterilises**

UVc water sterilisation to ensure the bacteria-free quality of water.

**It will be particularly well suited to the full treatment of rainwater.**

**Easy to use:**

When handling the device to replace the lamp, rotating the UV by only 5° will be enough to remove the UV lamp and replace it with a new one.

**Prefiltration prior to any UV-sterilization process:**

In order to achieve the optimum UV-sterilization process, the water should be free of any suspended particles.

**Positioning the UV:**

In all composite water treatment systems, the UV-sterilizer is always placed as the last station.

**Easy to maintain:**

**NOTE:**

*Your UV-sterilizer will not function efficiently unless the lamp is replaced once a year. After one year of use, the fact that the lamp is lighting in blue does not mean that your device is functioning efficiently.*

To replace:

quartz: once in 5 years

lamp: once a year



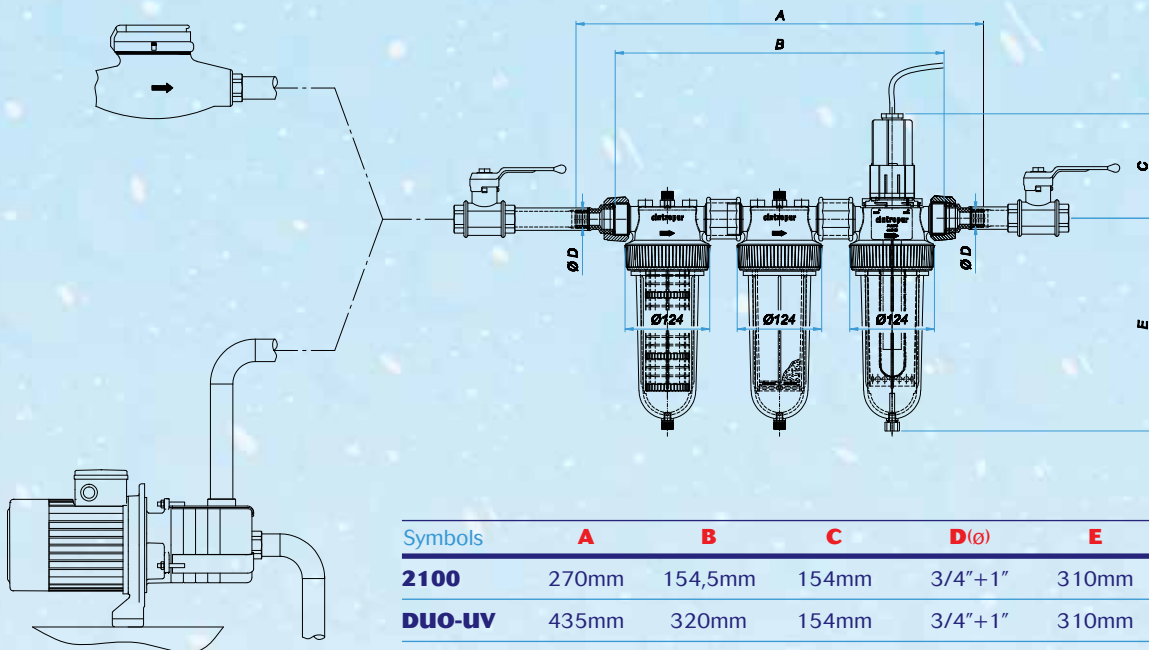
**TIO-UV**



## TABLE OF SPECIFICATIONS

Type of filter	2000	TIO-UV	10000	2100	DUO-UV	TRIO-UV
Connection diameter	3/4" + 1"	3/4" + 1"	2"	3/4" + 1"	3/4" + 1"	3/4" + 1"
Max. flow rate (m <sup>3</sup> /h) at temp. 30°C	2	2	10	2	2	2
Max. working pressure (bar)	16	16	16	16	16	16
Max. temperature	50° C	50° C	50° C	50° C	50° C	50° C
Weight (kg)	4,1	6,2	7,6	1,7	2,8	4,3
Water transmission (minimum %)	90	90	90	90	90	90
Lamp power (W)	25	25	95	25	25	25

## INSTALLATION DRAWING



Symbols	A	B	C	D(Ø)	E
<b>2100</b>	270mm	154,5mm	154mm	3/4"+1"	310mm
<b>DUO-UV</b>	435mm	320mm	154mm	3/4"+1"	310mm
<b>TRIO-UV</b>	601,5mm	487mm	154mm	3/4"+1"	310mm
<b>TIO-UV</b>	435mm	320mm	135mm	3/4"+1"	582mm
<b>2000</b>	270mm	154,5mm	135mm	3/4"+1"	582mm
<b>10000</b>	239mm	239mm	194mm	2"	641mm

Your distributor